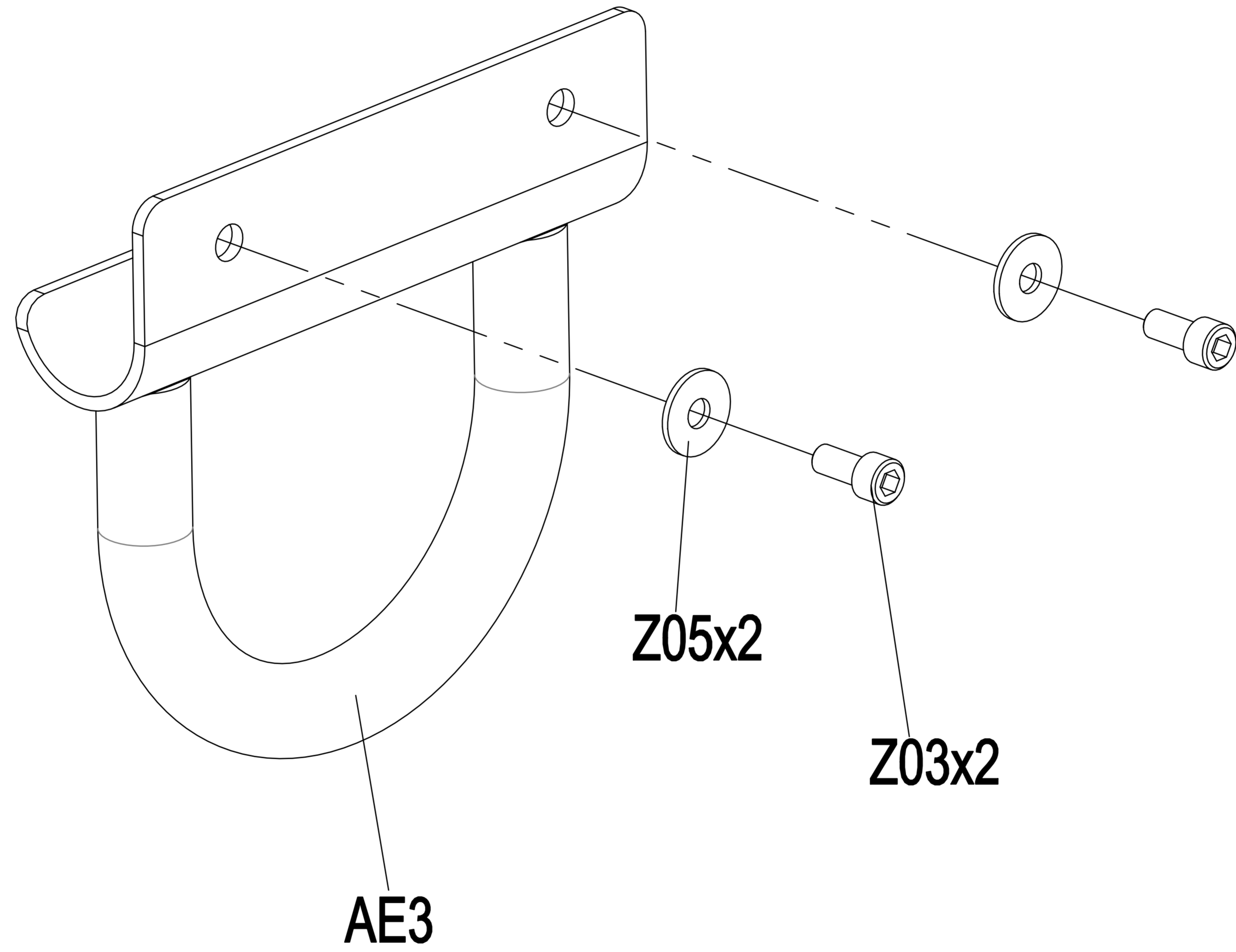


DRAWING NO	PGFTBR		
PART NAME	Explosive Diagram		
PART NO	MMAS0939-00	REV	A
APPROVE	KNIGHT	DATE	111616



Reference Number	Part #	Description	Notes
AE3	1000392502	Handlebar Set-Exreawork Cr Plate 240x2	
Z03	049256-AB	Screw Hex Socket Round M10x1.5Px20L Cr	
Z05	005062-00	Washer Flat 10.2x19x2.0T Chromed	